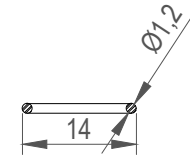
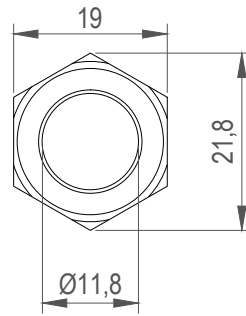


PANEL CUTOUT
MAX.PANEL THICKNESS
10 MM



Seal Ring

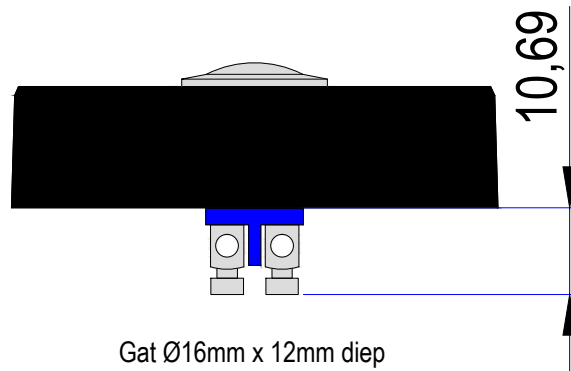
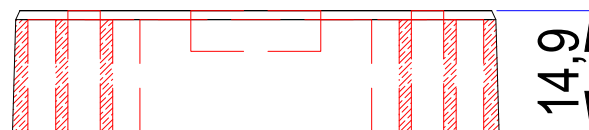
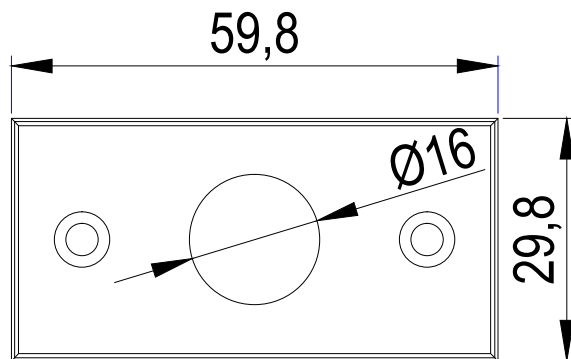


SPECIFICATIONS PUSHBUTTON:

1. Rating: 2A 36VDC.
2. Electrical Life: $\geq 200,000$ cycles
3. Contact Resistance: $\leq 50m\Omega$
4. Insulation Resistance: $\geq 1,000M\Omega$
5. Dielectric Strength: 2,000V RMS 50Hz
6. Operating Temperature: $-20^{\circ}C \sim +55^{\circ}C$
7. Operating Force: 4N
8. Torque: 5~14Nm max. applied to nut
9. Contact Configuration: 1NO (1NC Made to order)
10. Operation Type: Momentary
11. The Front Shape: Domed
12. IP Class: IP65

MATERIALS PUSHBUTTON:

1. Contact: Silver alloy
2. Button: Stainless Steel
3. Base: PBT
4. Surface mount base: UV resistant plastic



| | | |
|--------------|-------------------------|-------------------|
| Article: | VDO/OP16R | |
| | Anti-vandal push button | |
| Opmerkingen: | www.vercoma.nl | |
| Getekend: | GS | Datum: 04-05-2015 |

Vercoma Communicatie Systemen b.v.

golmar



VERCOMA